

Introduction :

Professional VGA CAT5 Extender has the function of transmitting VGA and audio signals (2048x1536) up to 350 meters. VGA CAT5 Extender has the ability to solve the problem that the over-long VGA wire results out-put device (ex: projectors) displaying color distortion, overlapping images, or handover and so on. It specifically offers anti-chromatic polarization function. And bandwidth of receiver is up to 350 Mhz.

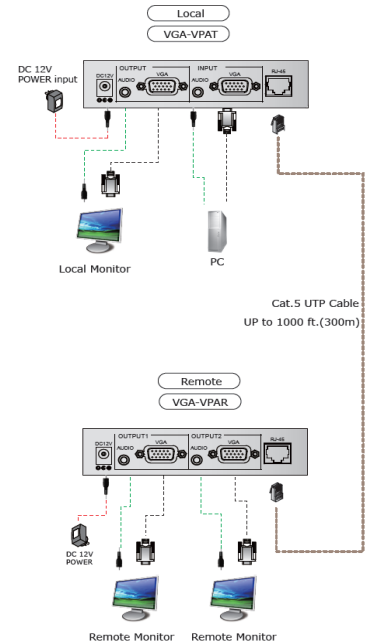
It has separation synchronization, compound synchronization and synchronized output. The distance can be adjusted. The maxima distance is 350 meters. Because VGA signal will be diminished through VGA wire especially the part of high frequency. Therefore, VGA CAT5 Extender at outset end is able to amplify the diminished signal and make the full signal bandwidth recovered. Then it proceeds to eliminate the overlapping images, or handover problems.



Transmitter



Receiver



SPECIFICATIONS	VGA-VPA T	VGA-VPA R
	TRANSCIVER	RECEIVER
Input	Female HD15 + 3.5mm mini audio input X 1	8P8C JACK(RJ-45) X 1
Output	Female HD15 + 3.5mm mini audio output X 1 8P8C JACK(RJ-45) X 1	Female HD15 + 3.5mm mini audio output X 2
LEDs	Power X 1、 Video X 1	
VGA Support	1024 X 768 @300m、 1280 X 1024 @150m、 2048 X 1536 @100m	
Support	VGA, SVGA, XGA, SXGA, UXGA, QXGA	
Video Bandwidth	350MHz	
Input Video Signal	1.2 V p-p	
Audio Impedance	600 ohm	
Power Adapter	DC12V 1A	
UTP. Cable Line	Cat 5, Cat 5e, Cat 6, Cat 7 compatible (24 gauge or lower solid copper)	
Material	Metal	
Dimensions/ Weight	390 g / W133 X D91 X H30 mm	